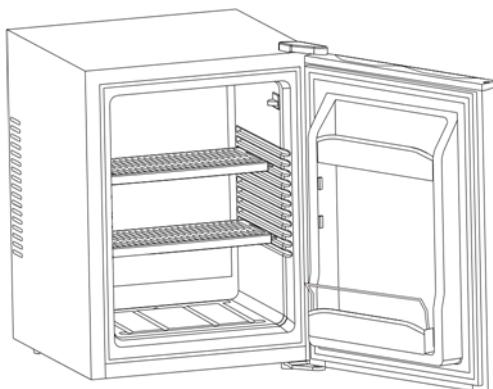


CATER-COOL

CATER-COOL COMMERCIAL NO NOISE MINIBAR INSTALLATION USE & SERVICE MANUAL

Please read this manual carefully prior to use & keep it in a convenient place for future reference.



APPLIES TO CK7032

Thank you for purchasing our Cater-Cool No Noise Minibar. To ensure proper operation of this cooler, please read the instruction manual carefully before use and please keep near the product.

CATERKWIK, The Lakeland Catering Centre, Newlands, Ulverston, Cumbria, LA12 7 QQ. Tel: 01229 480001 | Email: INFO@CATERKWIK.CO.UK

CATER-KWIK LTD

Internet Prices With Traditional Service Est. 1994

CONTENTS:

Important Safety Instructions.....3
Installation Instructions.....4
Disposal.....5
Reversing Door Hinge.....6
Electrical Diagram.....6
Troubleshooting.....7

CATER-KWIK LTD

Internet Prices With Traditional Service Est. 1994

IMPORTANT SAFETY INSTRUCTIONS

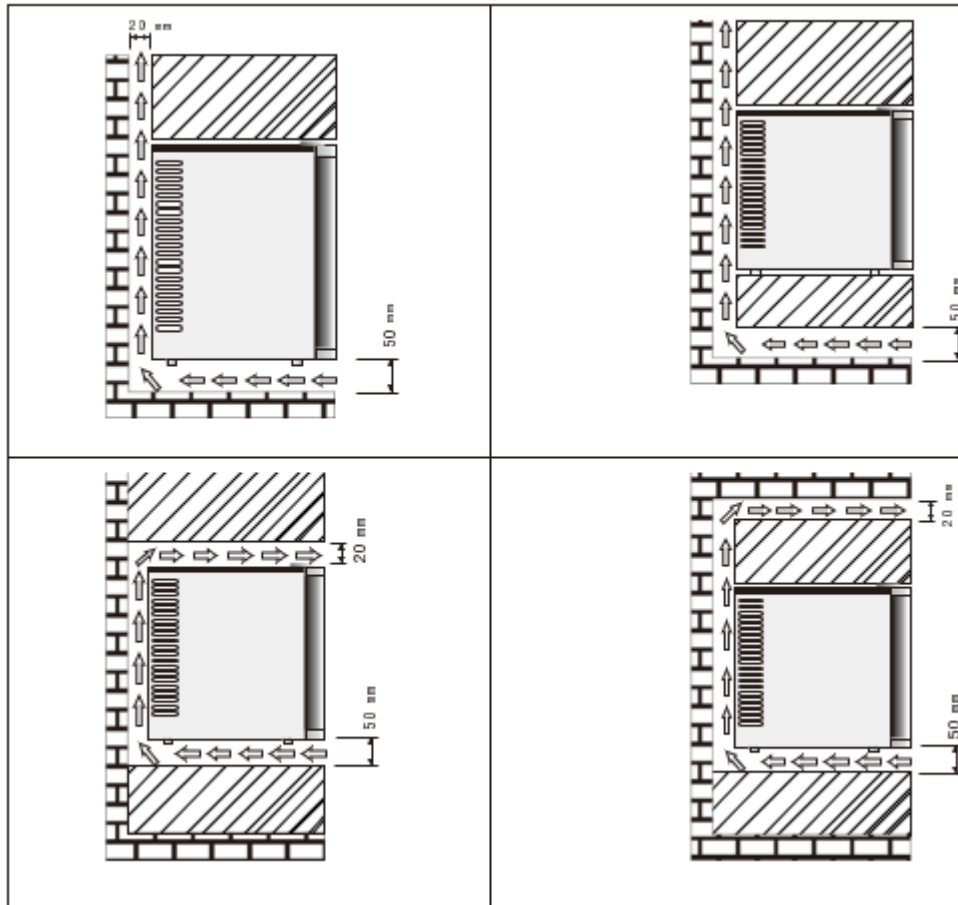
To reduce the risk of fire, electrical shock or injury when using your appliance, follow these basic precautions:

READ ALL INSTRUCTIONS BEFORE USING THE APPLIANCE.

- If the supply cord is damaged, it must be replaced by the manufacturer, a service agent or similarly qualified persons.
- This appliance is not intended for use by persons (including children) with reduced physical, sensory or mental capabilities, or lack of experience and knowledge, unless supervised or instruction concerning use of the appliance by a person responsible for their safety.
- Children should be supervised to ensure that they do not play with the appliance.
- To avoid hazards due to instability of the appliance, it must be fixed in accordance with the installation instructions.
- Do not store explosive substance such as aerosol cans with a flammable propellant inside the appliance.
- For appliance which use flammable insulation blowing gases, the instructions shall include information regarding disposal of the appliance.
- The lamp should be changed by professionals.

INSTALLATION INSTRUCTIONS

- This appliance is designed to be free standing only, and should not be recessed or built-in.
- Place your unit on a floor that is strong enough to support the unit when it is fully loaded. To level your unit, adjust the levelling legs at the bottom of the unit.
- This appliance is NOT designed to be installed inside of a cabinet where the front is covered by any type of door.
- Allow 20cm of space between the top, back and sides of the unit, which allows the proper air circulation to cool the compressor and condenser (please see photos on page 5).
- Locate the unit away from direct sunlight and source of heat (stove, heater, radiator etc.)
- Direct sunlight may affect the acrylic coating and heat sources may increase electrical consumption. Extreme cold ambient temperatures may also cause the unit not to perform properly.
- Avoid locating the unit in moist areas.
- Plug the unit into an exclusive, properly installed-grounded wall outlet. Do not under any circumstances cut or remove the third (ground) prong from the power cord. Any questions concerning power and/or grounding should be directed toward a certified electrician or an authorised Avanti Products service centre.
- After plugging the appliance into a wall outlet, allow the unit to cool down for 2-3 hours before placing food in the appliance compartment.
- This appliance performs best in an ambient temperature of 20°C–25°C. We suggest to switch the unit off if ambient temperatures are lower than 10°C.



Please remember to keep some water in the cabinet to keep the humidity.

Disposal:

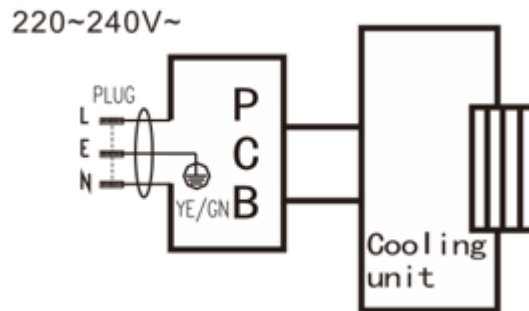
To prevent possible harm to the environment or human health from uncontrolled waste disposal, recycle it responsibly to promote the sustainable reuse of material resources. Disposal should only be done through public collection points.

REVERSING DOOR HINGE

This refrigerator has the capability of the door opening from either the left or right side. The unit is delivered with the opening from the left side. Should you desire to reverse the opening direction, please follow these instructions:

1. Pull out the 3 screws from the right hinge.
2. Remove the hinge (upper and lower).
3. Install the door in suitable position with hinges, use three self-screws to fix them in place.

ELECTRICAL DIAGRAM



TROUBLESHOOTING GUIDE

You can solve many common unit problems easily, saving you the cost of a possible service call. Try the suggestions below to see if you can solve the problem before calling the servicer.

PROBLEM	POSSIBLE CAUSE
Unit does not operate.	Not plugged in. The circuit breaker tripped or a blown fuse. The unit temperature control is set at "0"
Turns on and off frequently.	The room temperature is hotter than normal. A large amount of food has been added to the unit. The door is opened too often. The door is not closed completely. The temperature control is not set correctly. The door gasket does not seal properly. The unit does not have the correct clearances.
Vibrations.	Check to assure that the unit is level.
The unit seems to make too much noise.	The rattling noise may come from the flow of the refrigerant which is normal. As each cycle ends, you may hear gurgling sounds caused by the flow of refrigerant in your unit. Contraction and expansion of the inside walls may cause popping and crackling noises. The unit is not level.
The door will not close properly.	The unit is not level. The door was reversed and not properly installed. The gasket is dirty or bent. The shelves, bins or baskets are out of position.



CATERKWIK, The Lakeland Catering Centre,
Newlands, Ulverston, Cumbria, LA12 7 QQ.

Tel: 01229 480001 | Email: INFO@CATERKWIK.CO.UK



CATER-KWIK LTD

Internet Prices With Traditional Service Est. 1994